

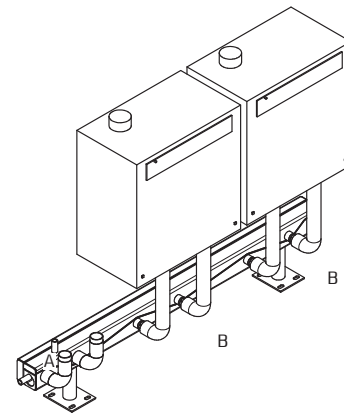
Technical data sheet

HydroFixx cascade

Combined flow and return manifold with chambers arranged adjacent to one another and separated by sinusoidal parting wall, with directly integrated, horizontally welded-on hydraulic separator for use on the primary side directly beneath the boilers. Made from rectangular profile S235 with 4 mm wall thickness. With two nozzles on the side for connection with a secondary heating circuit. Sensors and ½" drainage bushings are provided as standard. The heating boiler is connected by means of 90° bends directed downwards so that all types and sizes of boiler can be installed. Connection on left or right. The HydroFixx cascade is 100% tightness tested and primed before leaving the factory.

Manufacturer certification	
Description	HydroFixx cascade
Design pressure	6 bar
Design temperature	0/+110 °C
Design procedure	Article 4, Paragraph 3
Manufacturer	Sinusverteiler GmbH Dieselweg 2 48493 Wettringen/Germany

We declare under our sole responsibility that the pressure equipment meets the requirements of Directive 2014/68/EU. This product was manufactured in accordance with the principles of GEP "Good Engineering Practice".

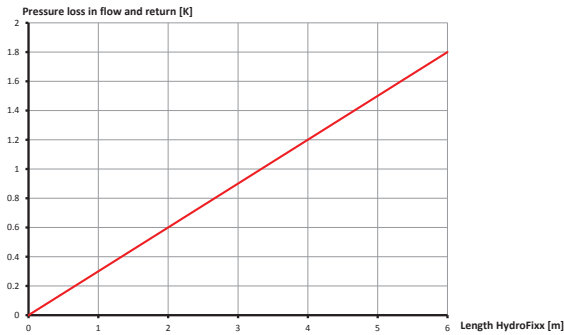


Type	Heating water flow rate	Power at ΔT 20 K	Connection Secondary side A	Heating boiler connection Primary side B
[WxH]	[m³/h]	[kW]		
120/120	8.6	150	2" external thread	1 ¼"/1 ½"
160/160	14.3	250	Flange DN 65	1 ¼"/1 ½"

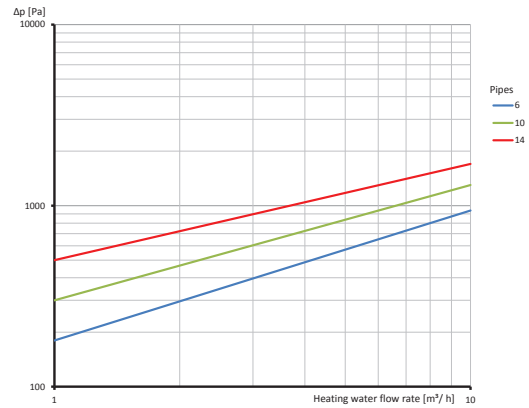
Heat transfer and pressure loss between flow and return chambers

Heat transfer diagram showing the return temperature increase in Kelvin [K] per running metre of manifold length and pressure loss diagram showing pressure loss dependent on the water throughput for a given number of nozzles.

Type 120/120

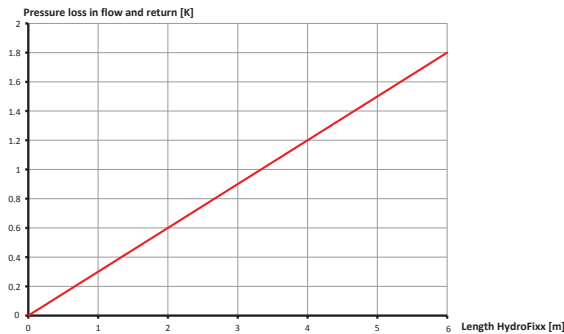


Heat transfer between flow and return chambers

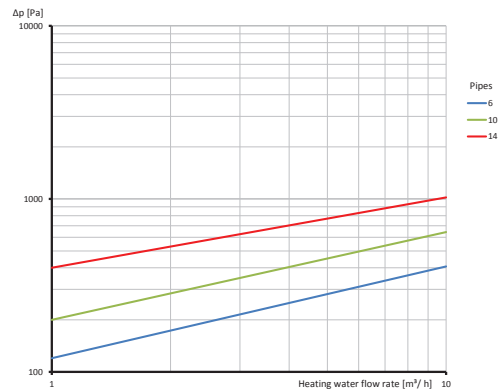


Pressure loss in flow and return

Type 160/160



Heat transfer between flow and return chambers



Pressure loss in flow and return