

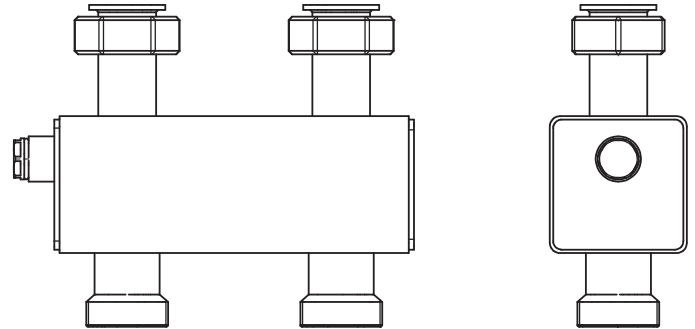
Technical data sheet

MonoFixx

MonoFixx as a horizontal hydraulic separator consisting of a rectangular chamber made of S235. Boiler-side connections from below, system-side connections from above. With a 1/2" bushing for temperature sensors. The MonoFixx is 100% tightness tested and primed before leaving the factory.

Manufacturer certification	
Description	MonoFixx
Design pressure	0/4 bar
Design temperature	0/+110 °C
Design procedure	Article 4, Paragraph 3
Manufacturer	Sinusverteiler GmbH Dieselweg 2 48493 Wettringen/Germany

We declare under our sole responsibility that the pressure equipment meets the requirements of Directive 2014/68/EU. This product was manufactured in accordance with the principles of GEP "Good Engineering Practice".



Type	Flow rate	Nozzle		Length	Wall thickness	Nozzle spacing
		Heating circuit	Boiler circuit			
[DxH]	[m³/h]	[inches]	[inches]	[mm]	[mm]	[mm]
80/80	3.0	1 1/2" union nut with flat seal	1 1/2" external thread with flat seal	210	2.5	125
120/80	6.5	2" union nut with flat seal	1 1/2" external thread with flat seal	210	2.5	125