

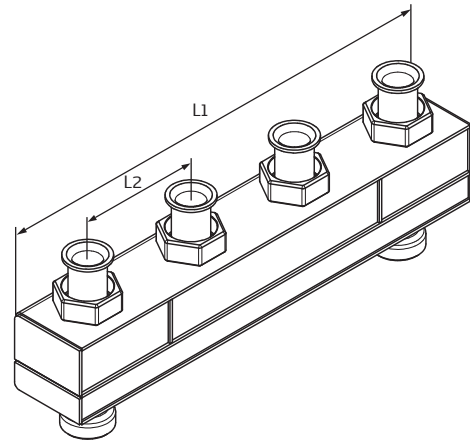
## Technical data sheet

# MultiFlow Domestic

Combined three-chamber manifold with integrated hydraulic separator for the ideal combination of two heating circuits with different temperature levels and to achieve the coldest possible return temperature in the chamber. Made from rectangular profile S235 with patented interior fittings. Connection to/from heat generator with 1 ½" threaded nozzle below, two ½" bushings for sensors and draining. Heating circuit connections with flat-sealing rim with 1 ½" union nut for mixer/pump groups with 125 mm nozzle spacing. The MultiFlow Domestic is 100% tightness tested and primed before leaving the factory.

Manufacturer certification	
Description	MultiFlow Domestic 80/80
Design pressure	4 bar
Design temperature	0/ +110 °C
Design procedure	Article 4, Paragraph 3
Manufacturer	Sinusverteiler GmbH Dieselweg 2 48493 Wettringen/Germany

We declare under our sole responsibility that the pressure equipment meets the requirements of Directive 2014/68/EU. This product was manufactured in accordance with the principles of GEP "Good Engineering Practice".



Number Heating circuits	Power at ΔT 20 K	Heating water flow rate	Length L1	Heating circuit/boiler circuit connection	Nozzle spacing L2	Wall thickness
[HK]	[kW]	[m³/h]	[mm]	[in inches]	[mm]	[mm]
2	50	2.15	460	1 ½" union nut/1 ½" external thread	125	3